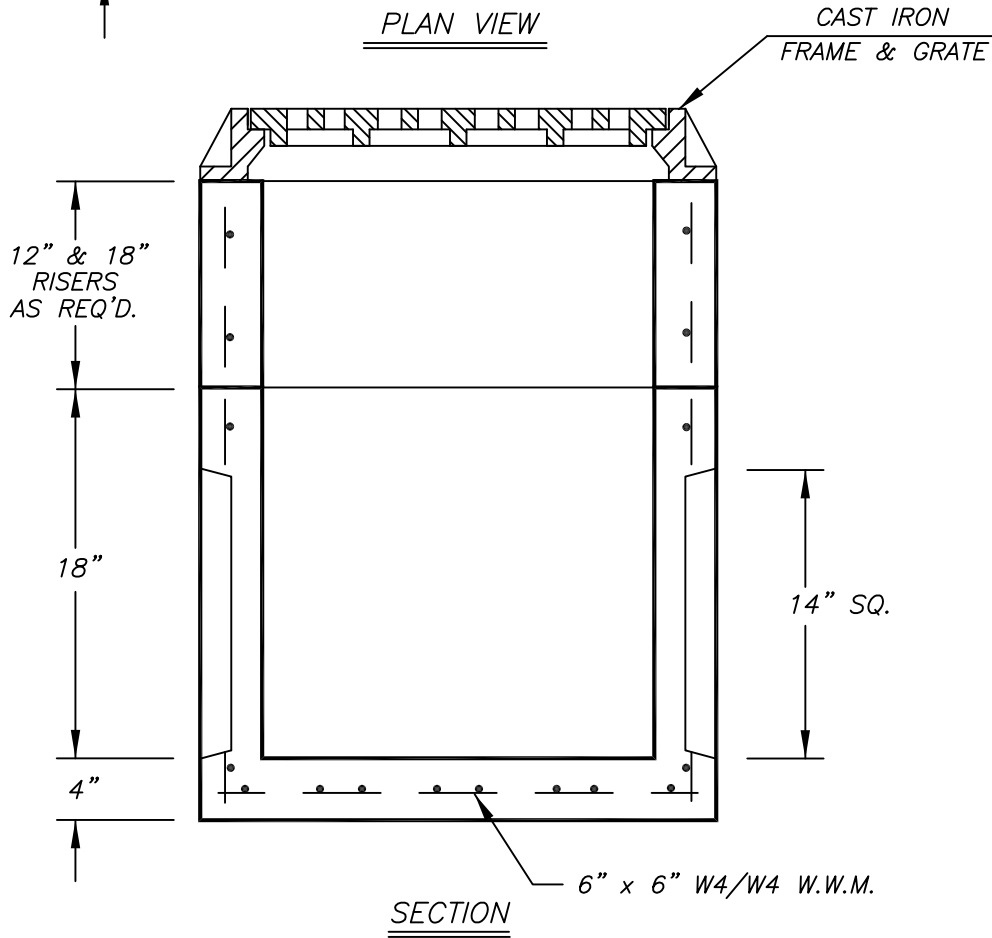


PLAN VIEW



SECTION

NOTES :

*CONCRETE : 4,000 PSI @ 28 DAYS

*REINFORCING : AS PER ASTM A-185
6" x 6" W4/W4 W.W.M.

*WEIGHTS :

CATCH BASIN - 645 LBS.

CONCRETE FLAT TOP ALSO AVAILABLE
180 LBS. (3" THICK)

RISER WEIGHTS : 363 LBS/FT.

| | | |
|---|----------------|-------------|
| Precast Concrete Sales Co. | | |
| 123 Route 303 Valley Cottage , N.Y. 10989 | | |
| Tel. (845) 268-4949 - Fax (845) 268-4376 | | |
| CONT. | | |
| JOB | | |
| 18"x18"x18" KNOCKOUT CATCH BASIN | | |
| DATE | DRAWN BY | DRAWING NO. |
| 1/16 | CLASSIC DESIGN | 218-18 |