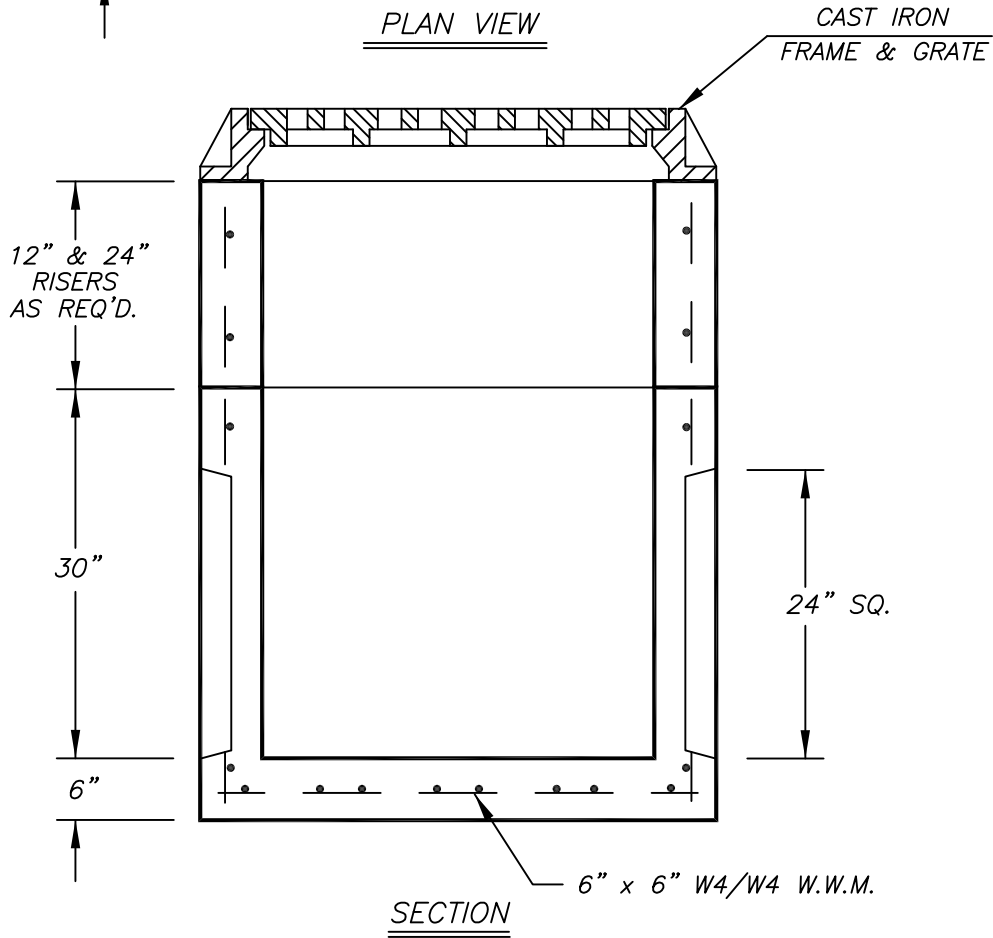


PLAN VIEW



SECTION

NOTES :

*CONCRETE : 4,000 PSI @ 28 DAYS

*REINFORCING : AS PER ASTM A-185
6" x 6" W4/W4 W.W.M.

*WEIGHTS :

CATCH BASIN - 2437 LBS.

CONCRETE FLAT TOP ALSO AVAILABLE
920 LBS. (6" THICK)

RISER WEIGHTS : 900 LBS/FT.

Precast Concrete Sales Co.		
123 Route 303 Valley Cottage, N.Y. 10989		
Tel. (845) 268-4949 - Fax (845) 268-4376		
CONT.		
JOB		
30"x30"x30" KNOCKOUT CATCH BASIN		
DATE	DRAWN BY	DRAWING NO.
1/16	CLASSIC DESIGN	230-30S