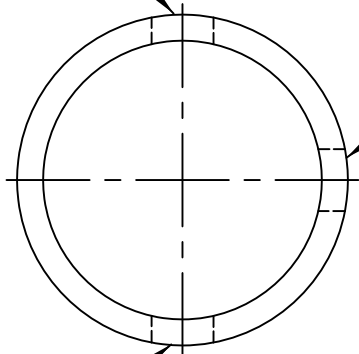
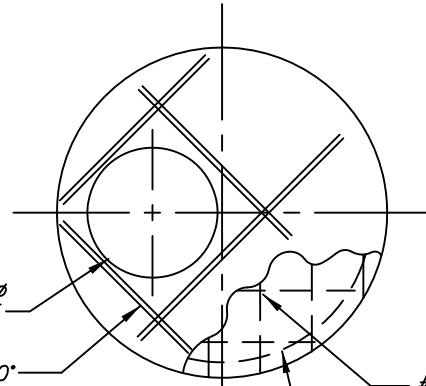


12" x 18"
DOGHOUSE OPENING



12" x 18"
DOGHOUSE OPENING

12 ϕ OPENING
12" UP \bar{C}



24" ϕ OR 30" ϕ
OPENING SIZE

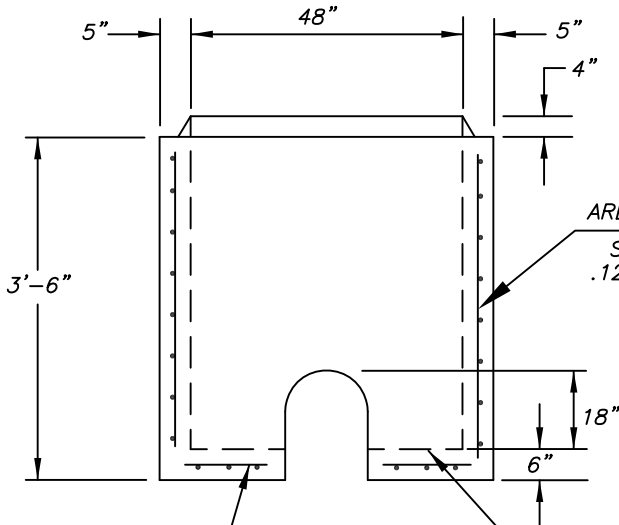
2-#4 BARS AT 90°
EACH SIDE AROUND
OPENING GRADE 60 STEEL

#4 @ 6" O.C.E.W.

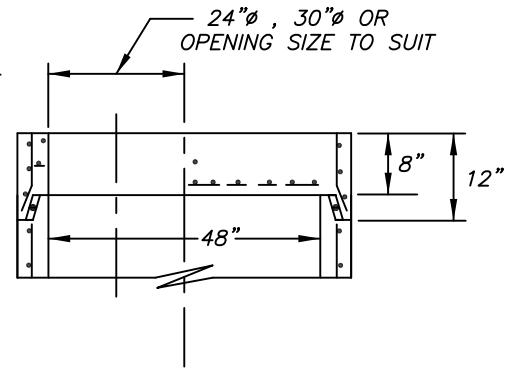
PLAN VIEW

AREA OF CIRCUMFERENTIAL
STEEL (SIDE WALLS)
.12 SQ. IN. PER LIN. FT.

REINFORCEMENT LAYOUT
FOR TOP SLAB



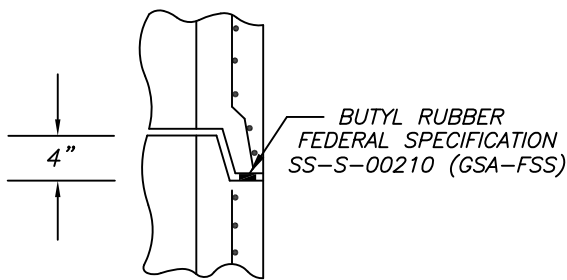
AREA OF CIRCUMFERENTIAL
STEEL (SIDE WALLS)
.12 SQ. IN. PER LIN. FT.



.12 SQ. IN. PER LIN. FT.
BOTH WAYS

SLOTTED BASE SLAB
PART OF RISER

BARREL ELEVATION



BUTYL RUBBER
FEDERAL SPECIFICATION
SS-S-00210 (GSA-FSS)

JOINT DETAIL

NOTES:

CONCRETE TO TEST 4000 PSI @ 28 DAYS
IN CONFORMANCE WITH ASTM C-478

Precast Concrete Sales Co.		
123 Route 303 Valley Cottage, N.Y. 10989		
Tel. (845) 268-4949 - Fax (845) 268-4376		
CONT.		
JOB		
48" DIA "DOGHOUSE" MH W/SLOTTED BASE SLAB		
DATE	DRAWN BY	DRAWING NO.
1/16	CLASSIC DESIGN	3-4DS