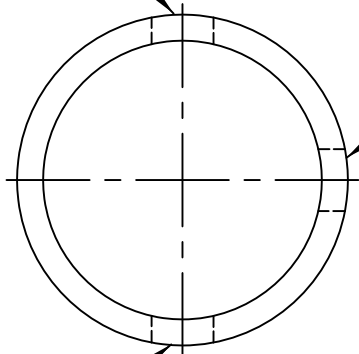


12" x 18"
DOGHOUSE OPENING



12" x 18"
DOGHOUSE OPENING

PLAN VIEW

12 ϕ OPENING
12" UP ϕ

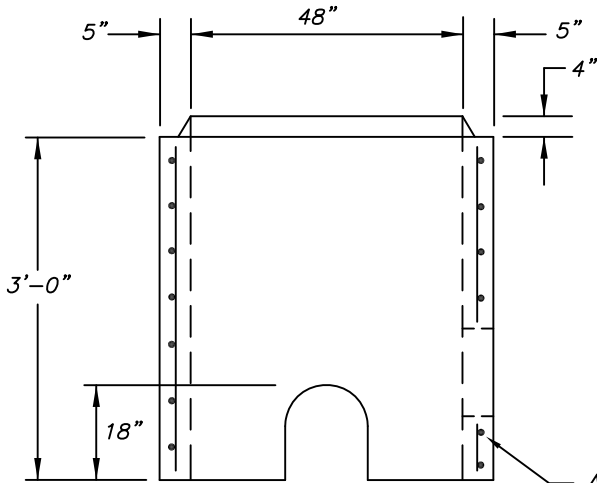
24" ϕ OR 30" ϕ
OPENING SIZE

2-#4 BARS AT 90°
EACH SIDE

#4 @ 6" O.C.E.W.

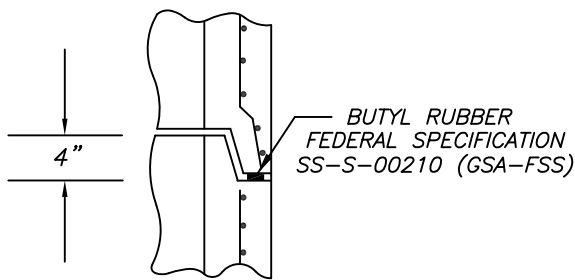
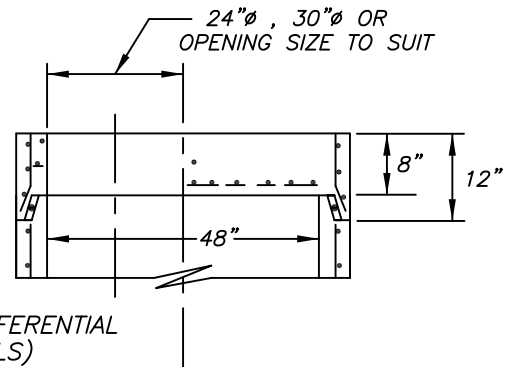
AREA OF CIRCUMFERENTIAL
STEEL (SIDE WALLS)
.12 SQ IN PER LIN FT

REINFORCEMENT LAYOUT
FOR TOP SLAB



BARREL ELEVATION

AREA OF CIRCUMFERENTIAL
STEEL (SIDE WALLS)
.12 SQ. IN. PER LIN. FT.



JOINT DETAIL

NOTES:
CONCRETE TO TEST 4000 PSI @ 28 DAYS
IN CONFORMANCE WITH ASTM C-478

Precast Concrete Sales Co. 123 Route 303 Valley Cottage, N.Y. 10989 Tel. (845) 268-4949 - Fax (845) 268-4376		
CONT.		
JOB		
48" DIA. "DOGHOUSE" MANHOLE		
DATE	DRAWN BY	DRAWING NO.
1/16	CLASSIC DESIGN	3-4D