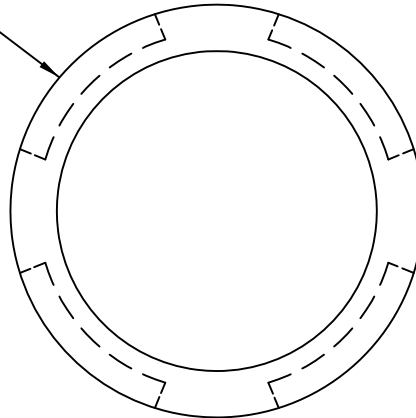
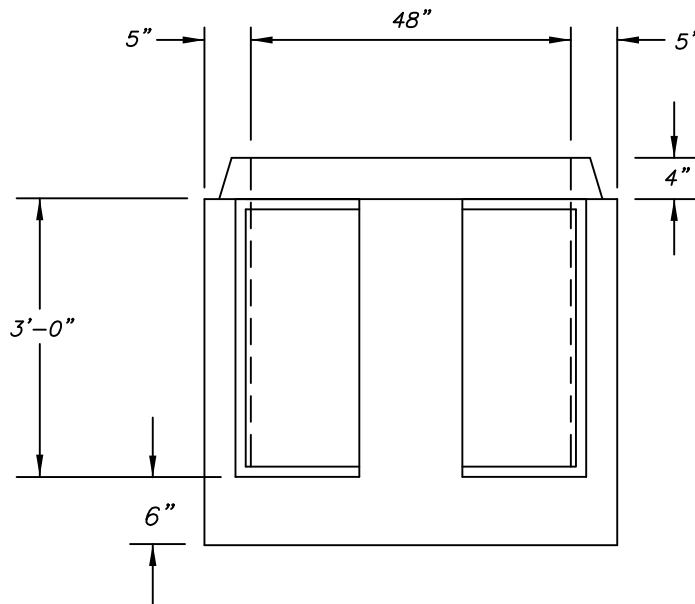


4 KNOCKOUT PANELS
PER UNIT



PLAN VIEW



BASE ELEVATION

NOTES:

- EACH KNOCKOUT HAS FOUR 3'-0" WIDE x 3'-0" HIGH KNOCKOUT PANELS
- PANELS ARE 2" THICK
- APPROX. WEIGHT - 3,400 LBS
- UNITS COMPATIBLE WITH STANDARD 48" DIA. MANHOLE SECTIONS
- CONCRETE TO TEST 4000 PSI @ 28 DAYS
- IN CONFORMANCE WITH ASTM C-478
- DESIGN FOR H2O LOADING

<i>Precast Concrete Sales Co.</i>		
123 Route 303 Valley Cottage, N.Y. 10989		
Tel. (845) 268-4949 - Fax (845) 268-4376		
CONT.		
JOB		
48" DIA. KNOCKOUT MANHOLE		
DATE	DRAWN BY	DRAWING NO.
1/16	CLASSIC DESIGN	3-4K