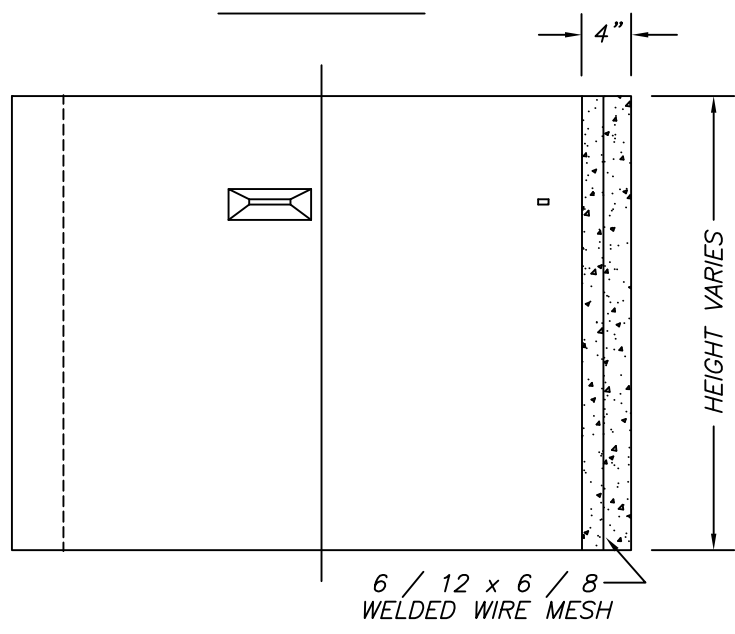
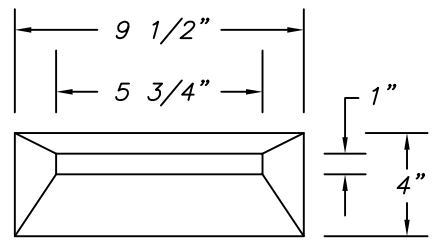


PLAN VIEW



ELEVATION

SECTION

CONCRETE TO TEST 4000 PSI @ 28 DAYS
 WELDED WIRE MESH ASTM A-185

Precast Concrete Sales Co.
 123 Route 303 Valley Cottage, N.Y. 10989
 Tel. (845) 268-4949 - Fax (845) 268-4376

SPECIFICATIONS			
RING HEIGHT	VOLUME C. F.	VOLUME GALLONS	APPROX. WEIGHT
3'-0"	205	1,536	4,600
4'-0"	274	2,048	6,100
5'-0"	342	2,559	7,600

CONT.		
JOB		
<i>10'-0" DIA. SOLID RING</i>		
DATE	DRAWN BY	DRAWING NO.
1/16	CLASSIC DESIGN	710-S