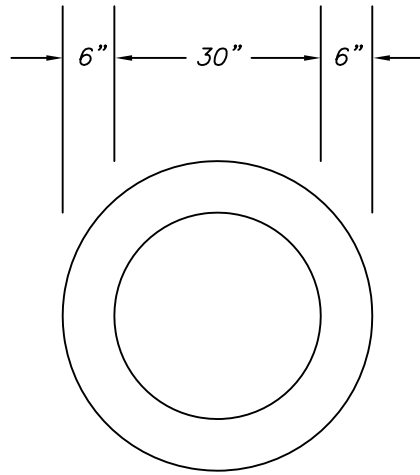
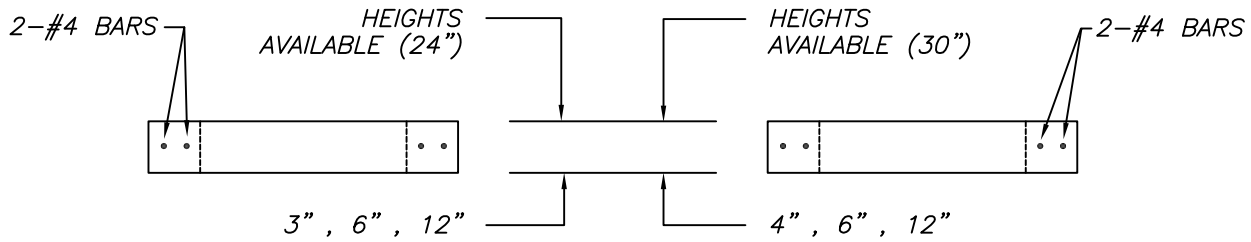


PLAN VIEW



PLAN VIEW



SECTION

SECTION

- NOTES :
- * CONCRETE TO TEST 4000 PSI @ 28 DAYS
 - * APPROX. WEIGHTS:
 - 24" DIA. - 49 LBS. PER INCH
 - 30" DIA. - 59 LBS. PER INCH

<i>Precast Concrete Sales Co.</i>		
123 Route 303 Valley Cottage , N.Y. 10989		
Tel. (845) 268-4949 - Fax (845) 268-4376		
CONT.		
JOB		
MANHOLE GRADE EXTENSIONS		
DATE	DRAWN BY	DRAWING NO.
1/16	CLASSIC DESIGN	800