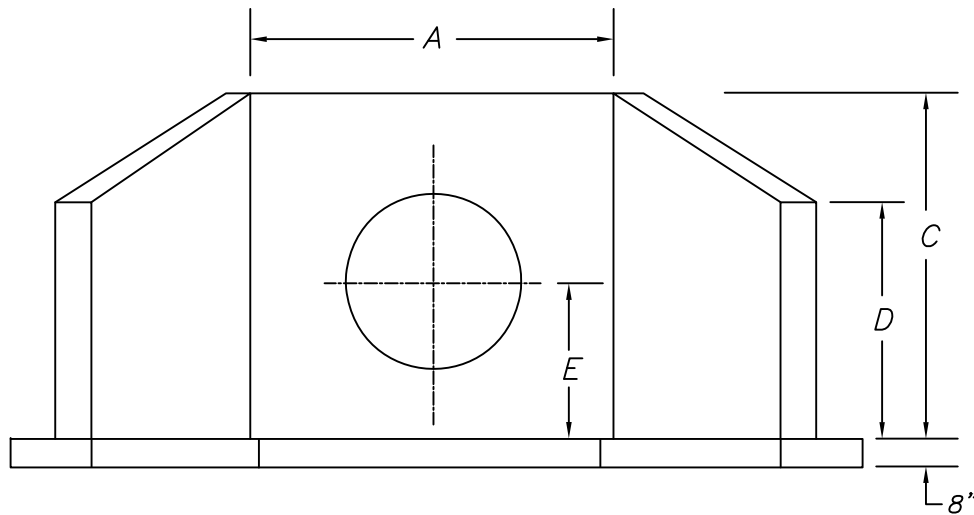


PLAN VIEW



ELEVATION

DIMENSION SCHEDULE								
PIPE DIA.	A	B	C	D	E	F	G	APPROX. WEIGHT
12"	36"	30"	54"	40"	36"	22"	78"	5445 LBS.
15"	48"	30"	60"	45"	37.5"	22"	92"	6400 LBS.
18"	48"	30"	60"	45"	39"	22"	92"	6400 LBS.
24"	60"	36"	64"	48"	42"	26"	112"	7250 LBS.
30"	72"	36"	72"	54"	45"	26"	124"	9276 LBS.
36"	78"	48"	78"	60"	48"	35"	144"	11623 LBS.
48"	84"	48"	90"	66"	54"	35"	150"	12402 LBS.
SPECIAL SIZES NOT LISTED CAN BE MFG. UPON REQUEST								

NOTES :

- * ALL EXPOSED EDGES TO HAVE 1" BEVELED CORNERS
- * APRON BY CONTRACTOR IN FIELD
- * REINFORCING - NO. 4 BARS AT 12" O.C.E.W.
- * CONCRETE TO TEST 4000 PSI @ 28 DAYS

<i>Precast Concrete Sales Co.</i>		
123 Route 303 Valley Cottage , N.Y. 10989		
Tel. (845) 268-4949 - Fax (845) 268-4376		
CONT.		
JOB		
<i>WINGWALL WITH FOOTING</i>		
DATE	DRAWN BY	DRAWING NO.
1/16	CLASSIC DESIGN	9-3