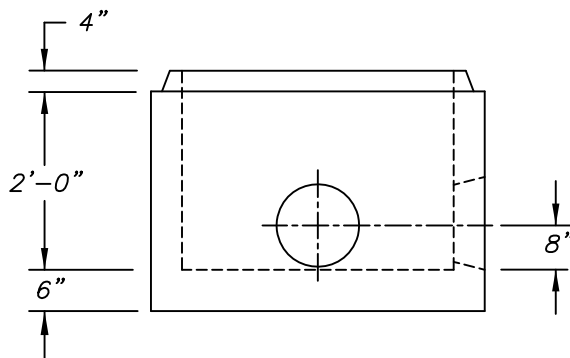
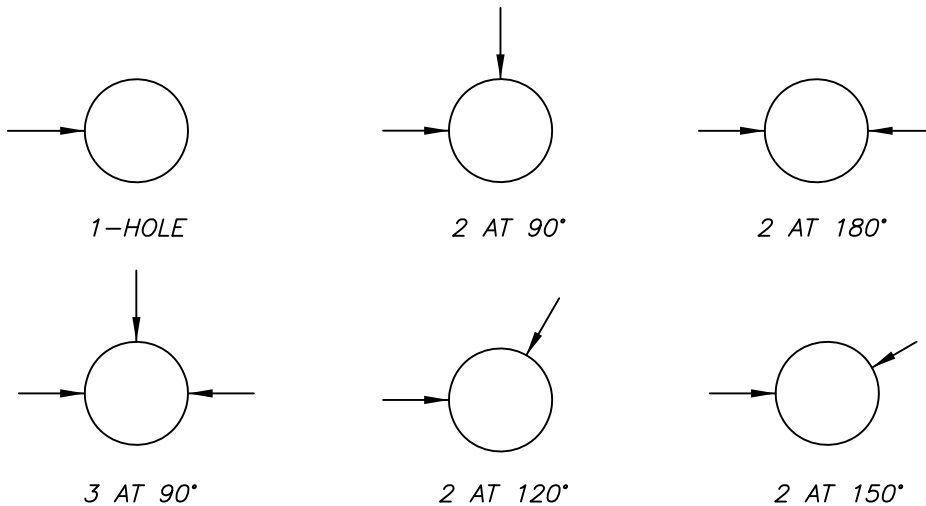


12" DIA. HOLES—SEE POSITIONS AVAILABLE BELOW

PLAN VIEW



ELEVATION



NOTES:

- UNITS COMPATIBLE WITH STANDARD 48" DIA MANHOLE SECTIONS
- NO STEPS IN THESE UNITS
- APPROX. WEIGHT — 3,118 LBS
- CONCRETE TO TEST 4000 PSI @ 28 DAYS
- IN CONFORMANCE WITH ASTM C-478
- DESIGN FOR H2O LOADING

Precast Concrete Sales Co. 123 Route 303 Valley Cottage , N.Y. 10989 Tel. (845) 268-4949 - Fax (845) 268-4376		
CONT.		
JOB		
48" DIA STOCK MANHOLE BASE		
DATE	DRAWN BY	DRAWING NO.
1/16	CLASSIC DESIGN	3-4S