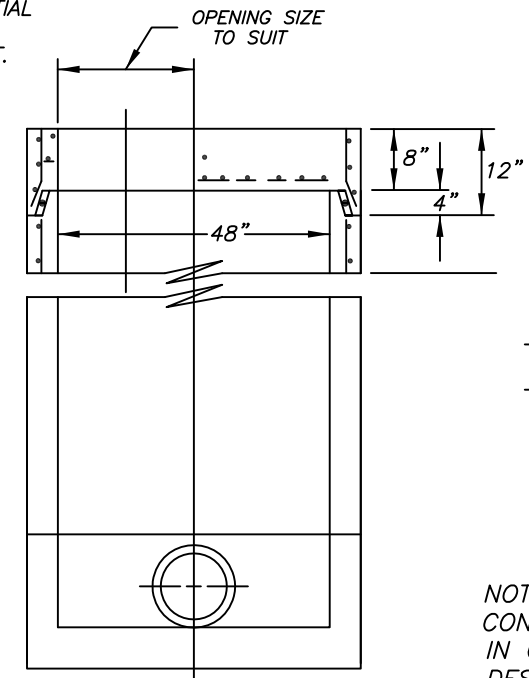
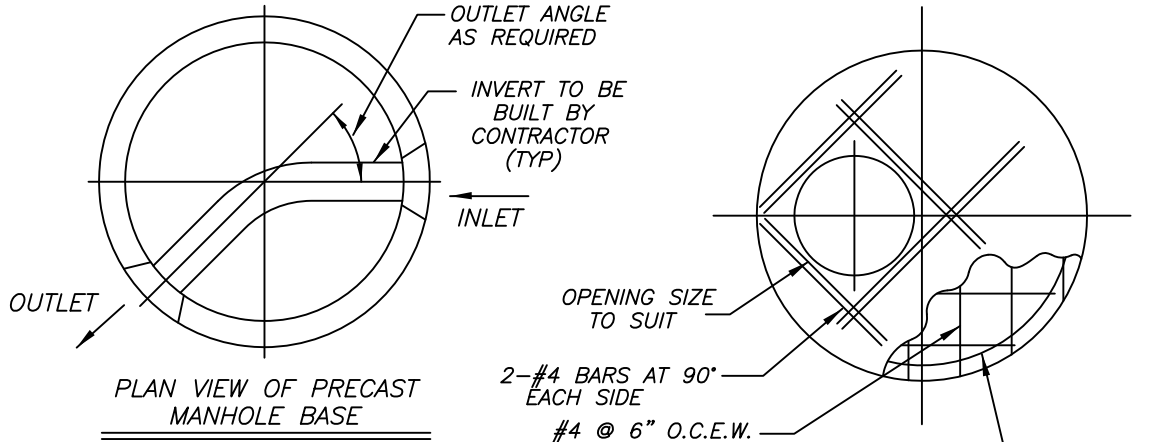
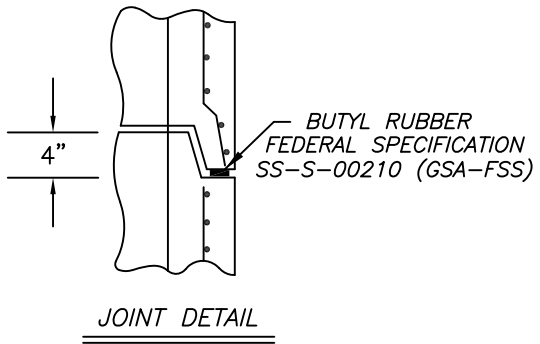


MANHOLE ASSEMBLY



TYPICAL 48" DIA MANHOLE WITH TOP SLAB



NOTES:
 CONCRETE TO TEST 4000 PSI @ 28 DAYS
 IN CONFORMANCE WITH ASTM C-478
 DESIGN FOR H2O LOADING

NOTE:

CONE DIMENSIONS	
DIA OPENING	HEIGHT
24"	36"
30"	36"

- APPROX. WEIGHTS:
- BASE = 1850 LBS
 - RISERS = 875 LBS/FT
 - TOP SLAB = 1575 LBS

• 36" HIGH CONE = 2470 LBS

Precast Concrete Sales Co.
 123 Route 303 Valley Cottage, N.Y. 10989
 Tel. (845) 268-4949 - Fax (845) 268-4376

CONT.		
JOB		
4'-0" DIA. CONCRETE MANHOLE WITH STANDARD FOOTING - TYPICAL ASSEMBLY		
DATE	DRAWN BY	DRAWING NO.
1/16	CLASSIC DESIGN	3-4