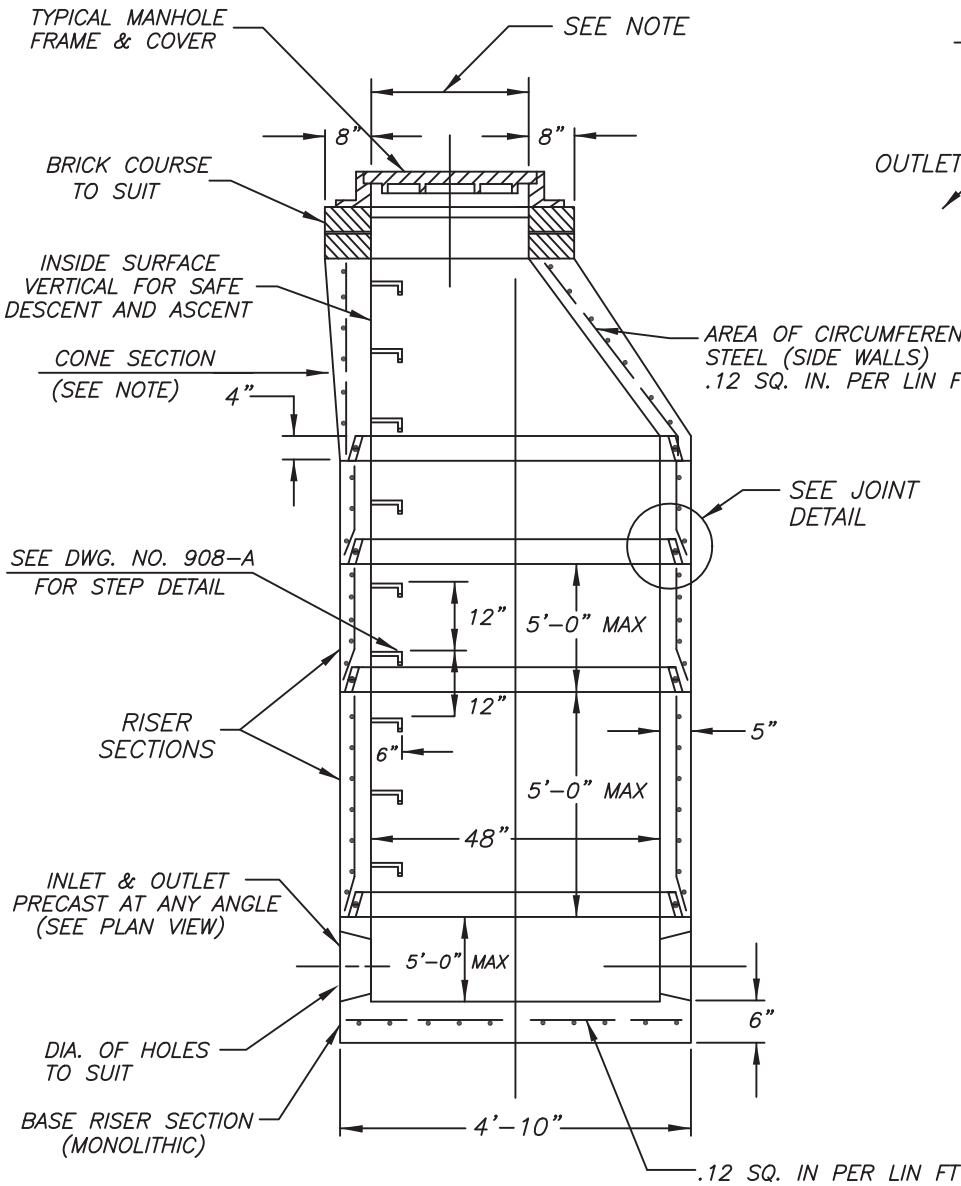
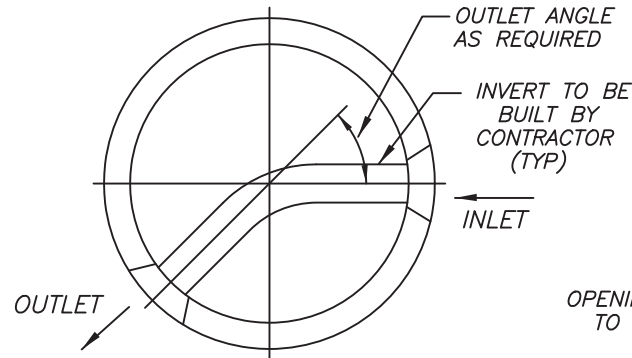


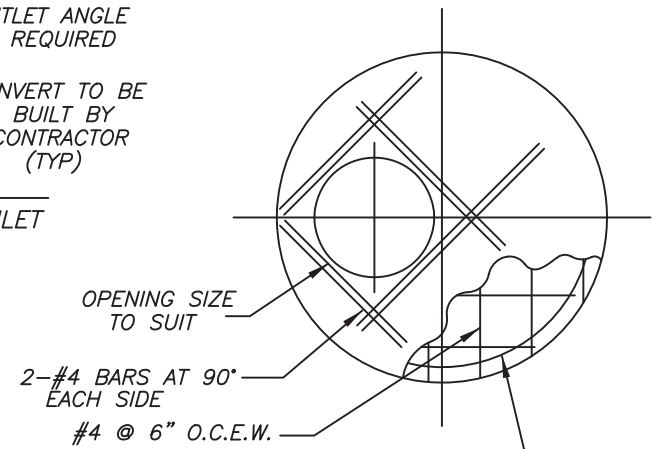
H2O LOAD RATED



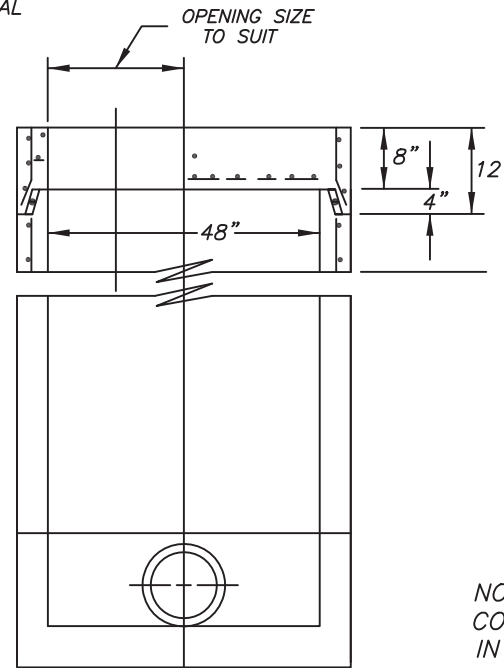
MANHOLE ASSEMBLY



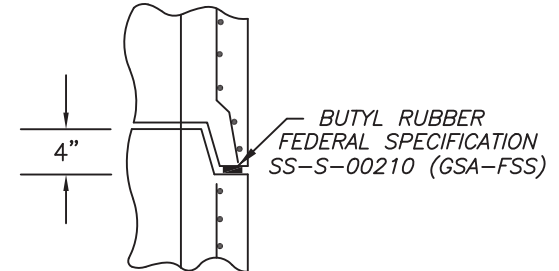
PLAN VIEW OF PRECAST MANHOLE BASE



REINFORCEMENT LAYOUT FOR TOP SLAB



TYPICAL 48" DIA MANHOLE WITH TOP SLAB



JOINT DETAIL

NOTES:
 CONCRETE TO TEST 4000 PSI @ 28 DAYS
 IN CONFORMANCE WITH ASTM C-478
 DESIGN FOR H2O LOADING

APPROX. WEIGHTS:

- BASE = 1850 LBS
- RISERS = 875 LBS/FT
- TOP SLAB = 1575 LBS

- 36" HIGH CONE = 2470 LBS

NOTE:

CONE DIMENSIONS	
DIA OPENING	HEIGHT
24"	36"
30"	36"

Precast Concrete Sales Co.

123 Route 303 Valley Cottage, N.Y. 10989
 Tel. (845) 268-4949 - Fax (845) 268-4376

CONT. ASF CONSTRUCTION CORP

JOB PALLISADES POINT -YONKERS, NY

4'-0" DIA. CONCRETE MANHOLE
 WITH STANDARD FOOTING - TYPICAL ASSEMBLY

DATE DRAWN BY DRAWING NO.

01/11 AT 3-4