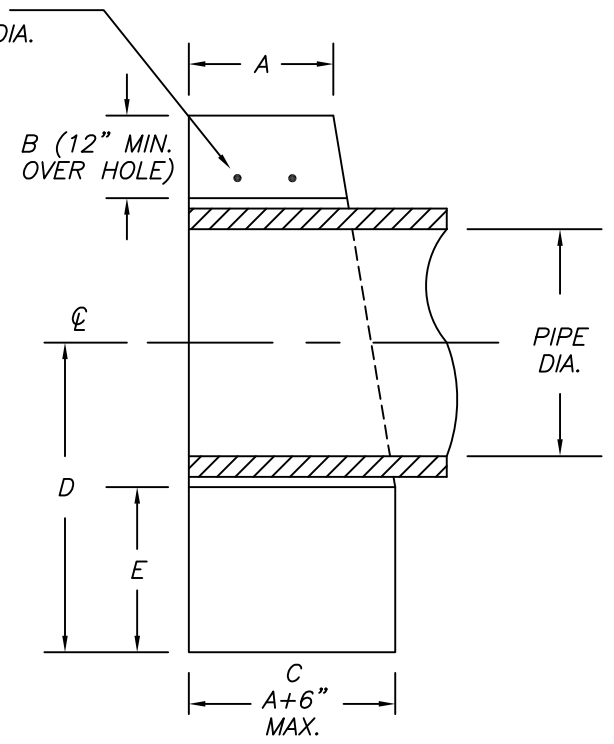


FRONT VIEW

1-#5 E.F.
LENGTH=3X PIPE DIA.

F-OVERSIZED HOLE,
SIZE=PIPE O.D. + 4"
PIPE TO BE SECURELY
MORTARED IN HOLE BY
CONTRACTOR IN FIELD.



SECTION

CUSTOMER SPECIFICATIONS
AS REQUIRED

| SYM. | DIMENSIONS |
|--------------|------------|
| A | |
| B | |
| C | |
| D | |
| E | |
| F | |
| L | |
| H | |
| PIPE DIA. | |

NOTES :

- * CONCRET TO TEST 4000 PSI @ 28 DAYS
- * REINFORCEMENT AS REQUIRED BY DESIGNER.
IF NONE SPECIFIED, MANUFACTURER TO PROVIDE
SUFFICIENT TO WITHSTAND HANDLING STRESSES.

| | | |
|---|----------------|-------------|
| Precast Concrete Sales Co. 123 Route 303 Valley Cottage , N.Y. 10989 Tel. (845) 268-4949 - Fax (845) 268-4376 | | |
| CONT. | | |
| JOB | | |
| CONCRETE HEADWALL | | |
| DATE | DRAWN BY | DRAWING NO. |
| 1/16 | CLASSIC DESIGN | 9-5 |