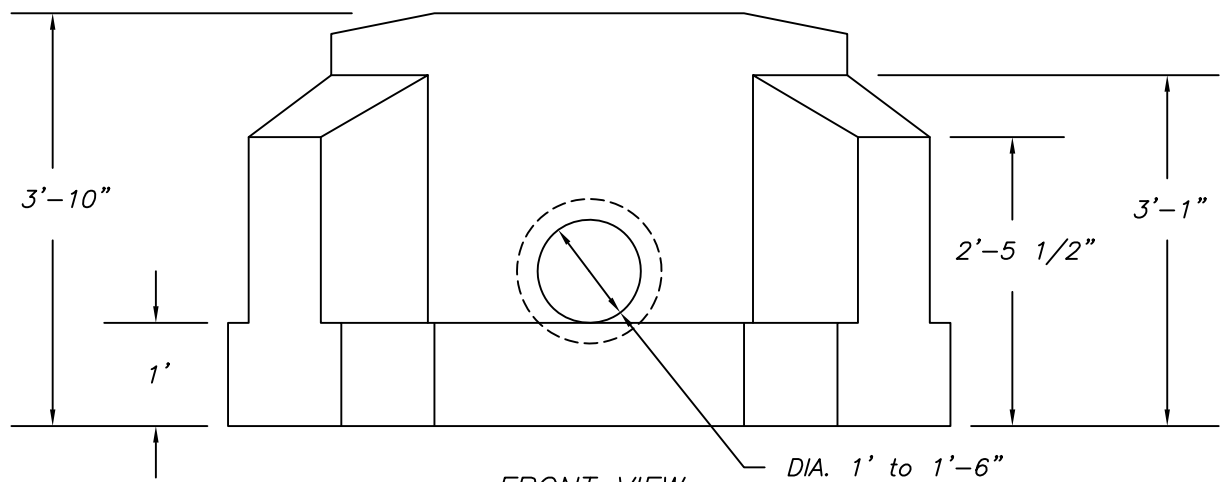


TOP VIEW



FRONT VIEW

NOTES :

1. MINIMUM 4,000 P.S.I. CONCRETE AT 28 DAYS WITH 5.5% A.E.
2. REINFORCEMENT—A.S.T.M. A615 GRADE 60, MINIMUM 1 1/2" COVER
3. ALL EXPOSED EDGES ARE CHAMFERED 1"
4. MATERIAL AND CONSTRUCTION SHALL COMPLY WITH PENN. D.O.T. PUB. 408
5. APPROX. WEIGHTS :  
 12" = 4,200 LBS.  
 15" = 4,100 LBS.  
 18" = 4,000 LBS.

<i>Precast Concrete Sales Co.</i>		
123 Route 303 Valley Cottage , N.Y. 10989		
Tel. (845) 268-4949 - Fax (845) 268-4376		
CONT.		
JOB		
<i>DW ENDWALL-12" TO 18" WITH FOOTER ONLY</i>		
DATE	DRAWN BY	DRAWING NO.
1/16	CLASSIC DESIGN	9-DW 12-18